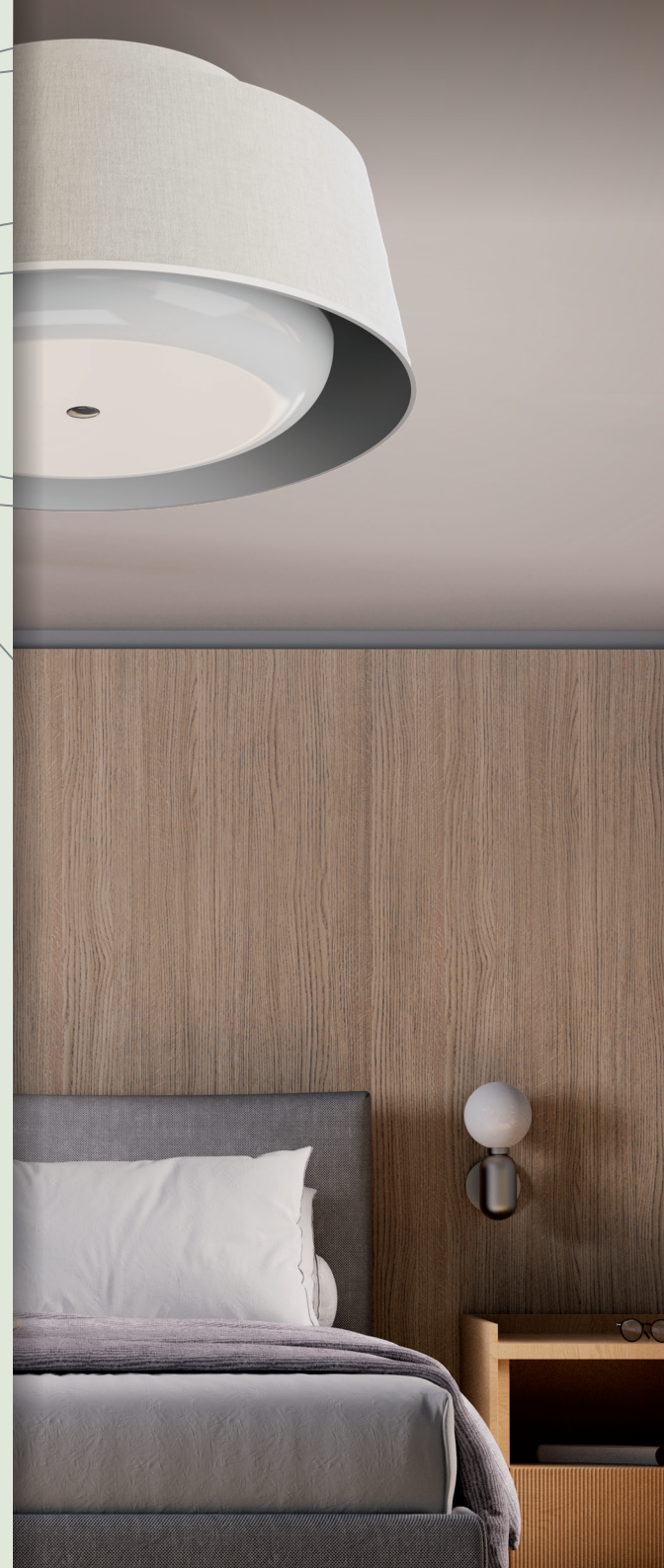


nobi

Ceiling

INSTALLATION AND USER MANUAL

Version 1.0



nobi

Ceiling

Congratulations on your Nobi Ceiling.

The purpose of this document is to provide you with all the necessary information to ensure a smooth installation process. Installation of your Nobi Ceiling brings us one step closer to creating a safer and happier living environment.

Be sure to check out our installation videos on: nobi.life/installation.

Table of Contents

Installation

This box includes	3
Required installation tools	3
Installation process	4
Mounting preparations	5
Installing Nobi power	6
Attaching the Nobi lamp	8

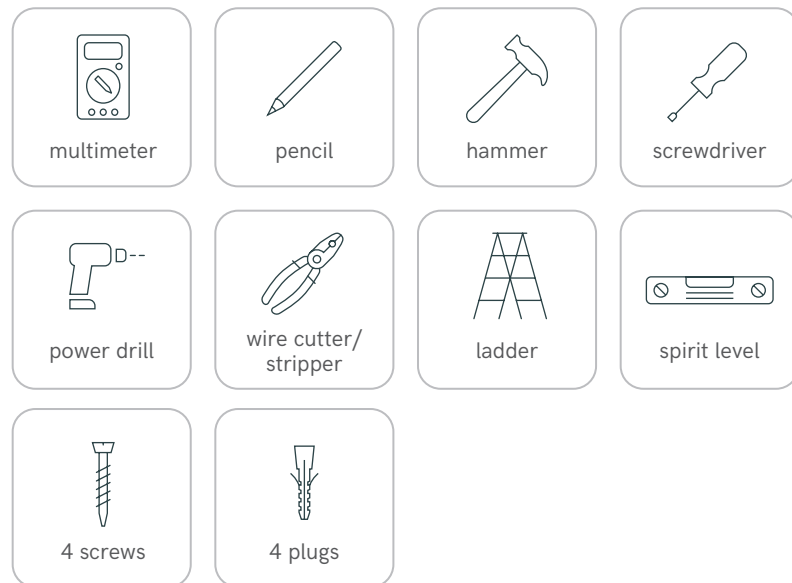
Onboarding

Pairing the Nobi Ceiling	11
Safety precautions	13
Disposal of your old product	13
Symbols	14
Labels	15
Environmental Conditions	15
Contact information	16

This box includes:

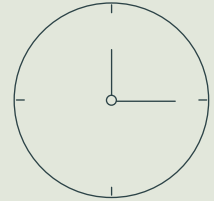
- 1 Nobi lamp
- 1 Nobi power

For this installation, you'll need:



Installation Process

- Mounting the Nobi Ceiling should take approximately **30 minutes**
- Mounting the Nobi wall switch takes around **15 minutes**
- The onboarding process, including connecting any accessories (such as blood pressure meters or scales), should not exceed **10 minutes**



NOTICE: After installation and onboarding, the Nobi Ceiling may undergo an update, the duration of which depends on your WiFi network's capacity. The size of the update can be as large as 1 GB. The update occurs in the background and has no impact on Nobi's operation, remaining entirely inconspicuous to the user.

Mounting Nobi

Preparations

- 1 Locate the main circuit breaker (it's advisable to do this in advance) and switch off the electrical power. Switch the main circuit breaker (usually a pair) to the OFF position to cut off the electrical power. To cut off power to individual rooms or circuits, switch the branch circuit breaker to the OFF position.

Before proceeding to the next step, confirm that the circuit breaker is switched off using a multimeter.

- 2 Take the Nobi lamp and the Nobi power out of the box and place them on a flat surface to prepare for installation.
- 3 Remove the current ceiling light fixture (if present), exposing 3 electrical wires: ground, neutral and switched line. Make sure you can identify each wire correctly. Usually, the switched line is brown or black, neutral is blue, and ground is green/yellow.

Note: These colours may differ depending on the country or local electrical installation regulations and practices.

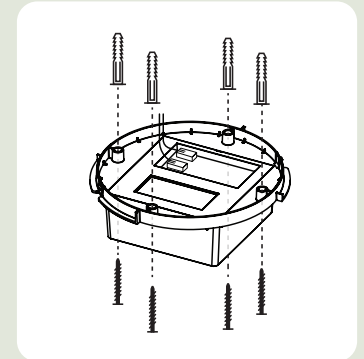
Notice: The switched line must be bridged to the ground wire behind the wall switch that controls the lighting point where the Nobi Ceiling will be installed. This ensures a constant 230V power supply to this point. The Bluetooth component that controls the Nobi LED light will be installed behind the wall switch.

More information and installation videos are available on: nobi.life/installation

Installing Nobi power

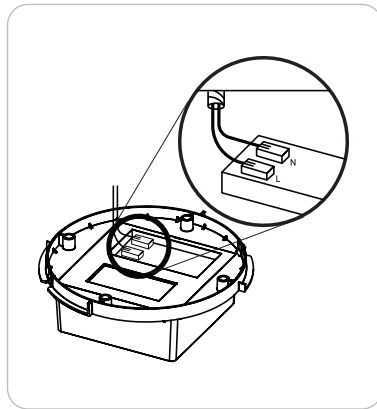
- 4 Hold the Nobi power against the ceiling and mark the 4 drill holes with a pencil.

Note: Marking the holes is critical to the accuracy and ease of the subsequent steps; it requires attention.



- 5 Drill the holes at the designated points. Ensure that the holes' depth is suitable for the screws and plugs. Carefully tap the plugs into the drilled holes. Use all four screws for a sturdy installation.

- 6 Now connect the electrical wires to the Nobi power. Connect the ground and neutral wires to the appropriate connectors on the Nobi power. The ground wire should not be connected.

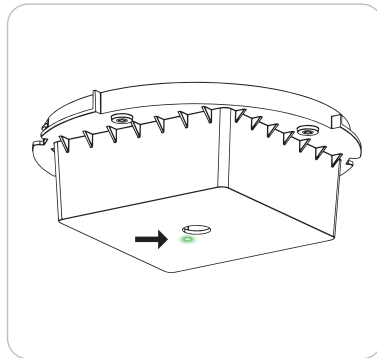


Caution: The neutral and ground wires must not be connected to the same connector.

- 7 Mount the Nobi power with the four screws. Tighten the screws, ensuring the Nobi power is firmly fixed to the ceiling.

- 8 The circuit breaker can now be switched back on.

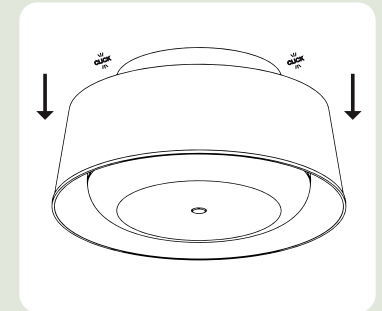
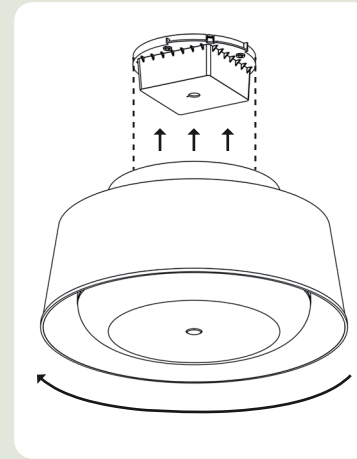
A small green light will illuminate.



Attaching the Nobi lamp

- 9 Now you can connect the lamp to the Nobi power.

Place the Nobi lamp over the Nobi power, turn it 90 degrees to the right, and then pull down until you hear a click.



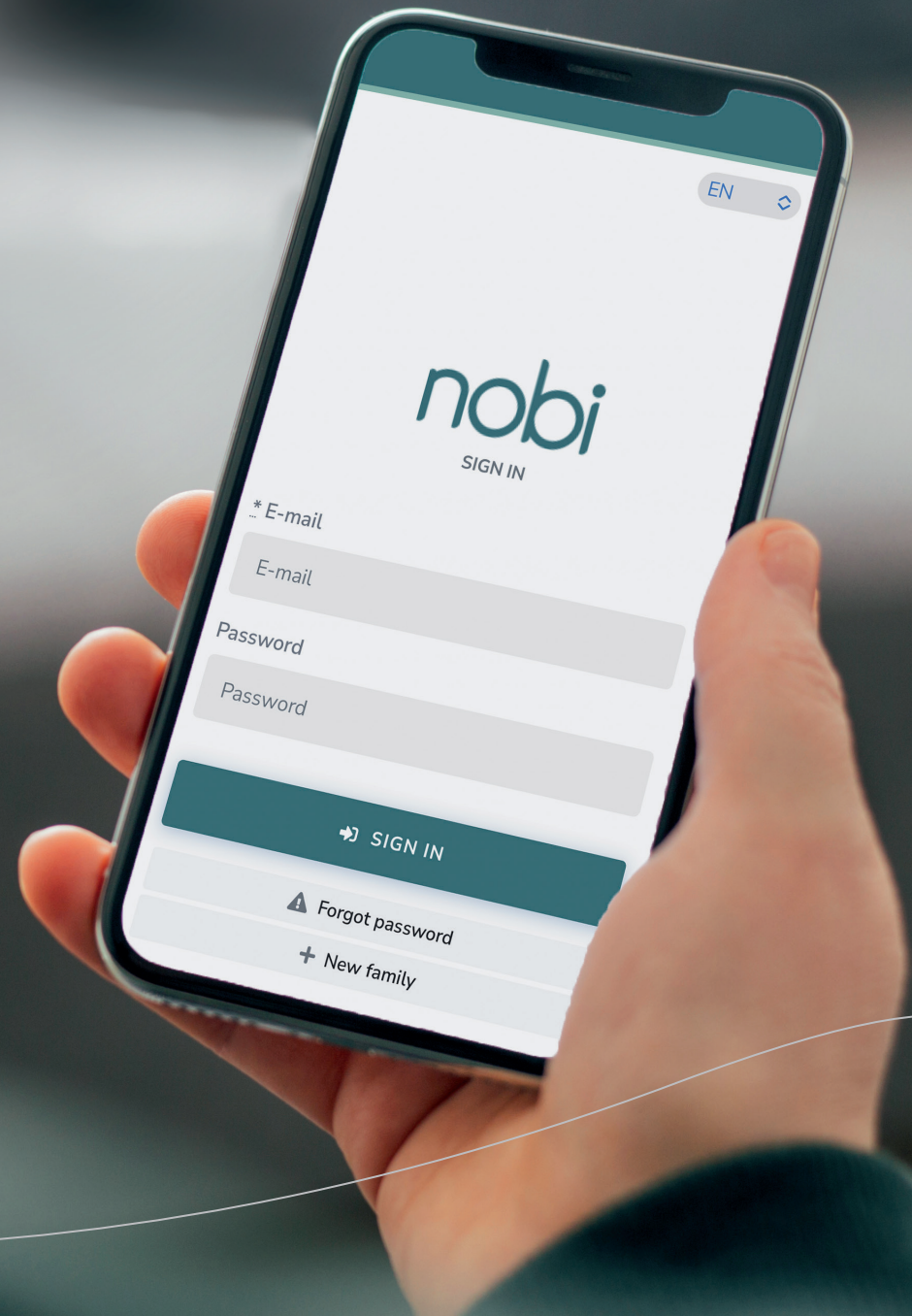
- 10 It will first flicker white and then flash blue.

- 11 Remove the plastic on the underside of the lamp.

Onboarding of the Nobi Ceiling



Before you begin the onboarding process, contact your local distributor and download the app.



Pairing the Nobi Ceiling

Before you begin the onboarding process, contact your local distributor and download the app. They will help you configure your account. Once your account is configured, you are all set for a successful onboarding.

If this is your first installation, make sure to install a Nobi Pendant or Ceiling.

Open the app:

- 1 In the menu, click on "housing units".
- 2 Find the relevant housing unit.
- 3 Click on 'edit'. Click on 'rooms'. Click on "add".
- 4 Select the type of room; bedroom or living room.
- 5 Click on "Link the lamp".
- 6 Click on "Start link".
- 7 A list of available lamps is displayed. Choose the correct lamp based on the six-character hardware code found on the sticker.
- 8 Click on "Link".
- 9 The pairing process goes through the following steps:
 - set up WIFI connection
 - connect to Nobi Cloud
 - confirmation Nobi.
- 10 The lamp has been successfully added.

In the event of an error, go to the app, click on "contact support" and contact Nobi with a ticket.



Safety precautions



Read the following safety precautions carefully before installing the Nobi Ceiling.

- Take care when installing the Nobi Ceiling as there is a risk of electric shock.
- This product must be installed in accordance with the applicable installation code by a person familiar with the construction and operation of the product and the hazards involved.
- The Nobi Ceiling must be installed in an electrical circuit that contains a fuse with a minimum contact separation of 1/10" (3 mm).
- Do not install the Nobi Ceiling in a closet.
- Do not install the Nobi Ceiling in a bathroom or WC.
- The Nobi Ceiling is designed for indoor use only.
- The Nobi Ceiling must be mounted on the ceiling.
- The light source in this luminaire should only be replaced by the manufacturer, its service agent or a similarly qualified person.
- Install the Nobi Ceiling out of arm's reach.

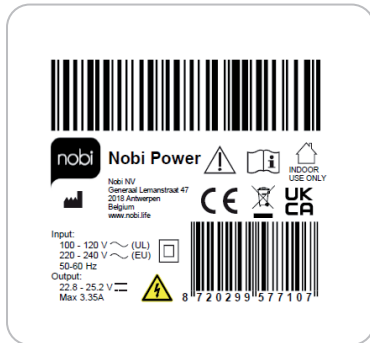
Disposal of your old product: Your product is designed and manufactured with high quality materials and components that can be recycled and reused. Please find out about your local collection system for electrical and electronic products.

Please follow your local regulations and do not dispose of your old product with your regular household waste. Correct disposal of your old product will help prevent potential negative consequences for the environment and human health.

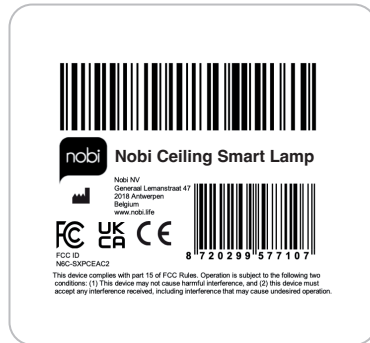
Symbols

	Consult manual before use		FCC marking
	Caution, risk of electric shock		CE marking
	Class II		UK Conformity Assessed
	Class III		Location of manufacturing
	Do not stare at the light source		Recycling
	Ceiling mount use only		Warning sign
	Emits IR light		Read manual before use
	Indoor use only		DC polarity
	Caution is needed when installing and using this device; consult the manual before use		

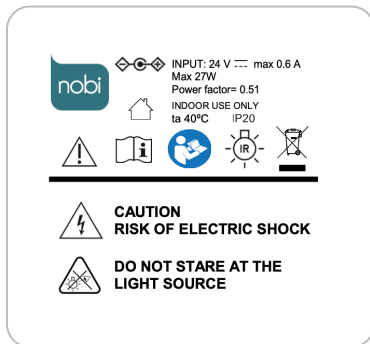
Labels



Nobi Power



Nobi Ceiling Smart Lamp



Environmental Conditions

- Operating temperature: 50°F to 104°F
- Operating humidity: 15% to 95% non-condensing
- Atmospheric pressure: +660 to +1060 hPa and maximum 6560 ft (2000 m) altitude

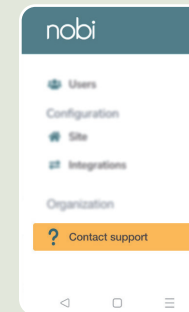
Do you have any questions? Let us assist you!



General questions?

Take a look at our frequently asked questions and answers:

nobi.life/en/frequently-asked-questions



Question after onboarding?

- Go to the app
- Open the menu
- Click on 'contact support'
- Contact Nobi with a ticket

Nobi, proudly supported by:



www.nobi.life